

Алматы (7273) 495-231
Ангарск (3955) 60-70-56
Архангельск (8182) 63-90-72
Астрахань (8512) 99-46-04
Барнаул (3852) 73-04-60
Белгород (4722) 40-23-64
Благовещенск (4162) 22-76-07
Брянск (4832) 59-03-52
Владивосток (423) 249-28-31
Владикавказ (8672) 28-90-48
Владимир (4922) 49-43-18
Волгоград (844) 278-03-48
Вологда (8172) 26-41-59
Воронеж (473) 204-51-73
Екатеринбург (343) 384-55-89

Иваново (4932) 77-34-06
Ижевск (3412) 26-03-58
Иркутск (395) 279-98-46
Казань (843) 206-01-48
Калининград (4012) 72-03-81
Калуга (4842) 92-23-67
Кемерово (3842) 65-04-62
Киров (8332) 68-02-04
Коломна (4966) 23-41-49
Кострома (4942) 77-07-48
Краснодар (861) 203-40-90
Красноярск (391) 204-63-61
Курск (4712) 77-13-04
Курган (3522) 50-90-47
Липецк (4742) 52-20-81

Магнитогорск (3519) 55-03-13
Москва (495) 268-04-70
Ижевск (3412) 26-03-58
Мурманск (8152) 59-64-93
Набережные Челны (8552) 20-53-41
Нижний Новгород (831) 429-08-12
Новокузнецк (3843) 20-46-81
Ноябрьск (3496) 41-32-12
Новосибирск (383) 227-86-73
Омск (3812) 21-46-40
Орел (4862) 44-53-42
Оренбург (3532) 37-68-04
Пенза (8412) 22-31-16
Петрозаводск (8142) 55-98-37
Псков (8112) 59-10-37
Пермь (342) 205-81-47

Ростов-на-Дону (863) 308-18-15
Рязань (4912) 46-61-64
Самара (846) 206-03-16
Санкт-Петербург (812) 309-46-40
Саратов (845) 249-38-78
Севастополь (8692) 22-31-93
Саранск (8342) 22-96-24
Симферополь (3652) 67-13-56
Смоленск (4812) 29-41-54
Сочи (862) 225-72-31
Ставрополь (8652) 20-65-13
Сургут (3462) 77-98-35
Сыктывкар (8212) 25-95-17
Тамбов (4752) 50-40-97
Тверь (4822) 63-31-35

Тольятти (8482) 63-91-07
Томск (3822) 98-41-53
Тула (4872) 33-79-87
Тюмень (3452) 66-21-18
Ульяновск (8422) 24-23-59
Улан-Удэ (3012) 59-97-51
Уфа (347) 229-48-12
Хабаровск (4212) 92-98-04
Чебоксары (8352) 28-53-07
Челябинск (351) 202-03-61
Череповец (8202) 49-02-64
Чита (3022) 38-34-83
Якутск (4112) 23-90-97
Ярославль (4852) 69-52-93

Россия +7(495)268-04-70

Казахстан +7(7172)727-132

Киргизия +996(312)96-26-47

<https://sassin.nt-rt.ru/> || sib@nt-rt.ru

Switching power supplies

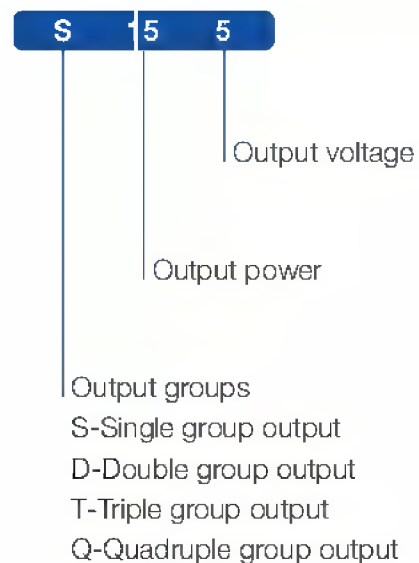
- High reliability
- Built-in EMI filter, good anti-jamming performance
- High efficiency
- Soft-start circuit design, AC surge current limiting
- Low operating temperature, long working life
- Wide input voltage range
- Good insulation, high dielectric strength
- Short circuit, overload, overvoltage protection
- 100% burn-in test
- Small size, light weight, beautiful appearance



Applications And Functions

- High reliability
- Built-in EMI filter, good anti-jamming performance
- High efficiency
- Soft-start circuit design, AC surge current limiting
- Low operating temperature, long working life
- Wide input voltage range
- Good insulation, high dielectric strength
- Short circuit, overload, overvoltage protection
- 100% burn-in test
- Small size, light weight, beautiful appearance

Introduction of type code



Technical specifications

		Single output S series																
Rated output power	W	15	25	35	40	50	60	75	100	120	140	201	250	320	350	400	500	
Rated output voltage DC																		
3 V									●									
5 V		●		●		●		●	●		●	●			●	●		
7.5 V									●	●	●	●						
12 V		●	●	●	●	●	●	●	●	●	●	●	●	●	●	●	●	
13.5 V												●		●			●	
15 V			●	●	●	●	●	●	●	●	●	●	●	●	●	●	●	
24 V		●	●	●	●	●	●	●	●	●	●	●	●	●	●	●	●	
27 V									●	●		●	●	●	●			
48 V									●	●	●	●	●	●	●	●	●	
DC voltage adjustable range		±10 % of rated output voltage																
Input voltage range																		
85 ... 132 V AC 47-63 Hz		●	●	●	●	●	●		●	●	●	●	●	●	●	●		
85 ... 264 V AC 47-63 Hz								●										
88 ... 264 V AC 47-63 Hz																	●	
170 ... 264 V AC 47-63 Hz		●	●	●	●	●	●		●	●	●	●	●	●	●	●		
120 ... 370 V DC								●										
240 ... 370 V DC		●	●	●	●	●	●		●	●	●	●	●	●	●	●	●	
Typical input current																		
at 115 V AC	A	0.5	0.6	0.8	0.9	1.3	2	1.6	2.4	2.4	3.2	4.5	5	6	6.5	6.5	7	
at 230 V AC	A	0.25	0.35	0.45	0.5	0.65	1	0.8	1.2	1.2	1.6	2.5	2.5	3.5	4	4	3.5	
Inrush current (max.)																		
Cold start at 115 V AC	A	15		18			20			25			25		25	25	18	
Cold start at 230 V AC	A	30		36			40			50			50	50	50	36		
Leakage current at 240 V AC	mA	<0.5		<2	<0.5	<1	<3.5		<1	<3.5								
Time																		
Setup	ms	200				200			200			100	200		200		1500	
Rise	ms	100				100			50			50	100		50		50	
Hold up	ms	30				20			20			20	20		20		20	
Overload protection																		
105 %-135 %, shut off, auto-reset							●	●		●		●	●	●	●	●	●	
105 %-150 %, shut off, auto-reset		●	●	●	●	●			●		●							
Overvoltage protection																		
115 %-135 % shut off, auto-reset								●			●	●	●	●	●	●	●	
Over temperature protection																		
≥80 °C shut off, auto-reset												●		●	●	●		
≥90 °C shut off, auto-reset																	●	
Fan ON/OFF control																		
≥80 °C fan start, ≤45 °C fan off															●	●		
Withstand voltage																		
I/P-O/P, AC 1 minute	kV	1.5																3
I/P-FG, AC 1 minute	kV	1.5																1.5
O/P-FG, AC 1 minute	kV	0.5																0.5
Operation temperature																		
		-10 ... +60 °C , 20 ... 90 % RH																
Weight	kg	0.3	0.3	0.4	0.4	0.5	0.5	0.55	0.6	0.6	0.7	0.87	0.9	1	1	1	1.8	
Packing unit	Pcs	60	60	45	45	45	45	45	30	30	30	24	24	24	24	24	8	

	W	Dual output D series					Triple output T series					Quadruple output Q series	
		30	50	60	120	200	30	50	60	100	120	60	120
Rated output power													
Rated output voltage DC													
5 V		●	●	●	●		●	●	●	●	●	●	●
12 V		●	●	●	●	●	●	●	●	●	●	●	●
15 V								●	●	●		●	●
24 V		●	●	●	●	●		●				●	●
-5 V							●	●	●	●	●	●	●
-12 V							●	●	●	●	●	●	●
-15 V								●	●	●	●	●	●
DC voltage adjustable range		±10 % of rated output voltage					±10 % of rated output voltage						
Input voltage range													
85 ... 132 V AC 47-63 Hz		●	●		●		●	●		●	●	●	●
85 ... 264 V AC 47-63 Hz				●									
88 ... 132 V AC 47-63 Hz						●							
88 ... 264 V AC 47-63 Hz									●				
170 ... 264 V AC 47-63 Hz		●	●		●	●	●	●		●	●	●	●
120 ... 370 V DC				●									
240 ... 370 V DC		●	●		●	●	●	●	●	●	●	●	●
Typical input current													
at 115 V AC	A	0.8	1.3	2	2.5	4.5	0.8	1.6	2	2.5	2.5	2	3
at 230 V AC	A	0.45	0.65	1	1.25	2.5	0.45	0.8	1	1.25	1.25	1	1.25
Inrush current (max.)													
Cold start at 115 V AC	A	18			30	25	18	20	30			18	30
Cold start at 230 V AC	A	36			30	50	36	40	60			36	60
Leakage current at 240 V AC	mA	< 0.5			< 3.5	< 3.5	< 0.75	< 0.5	< 3.5			< 1	< 3.5
Time													
Setup	ms	200		300	200		200	200	300	800		800	200
Rise	ms	50		50	50		100	50	50	20		20	50
Hold up	ms	30		80	20		30	15	80	20		70	20
Overload protection													
105 %-135 %, shut off, auto-reset					●	●				●	●		
105 %-150 %, shut off, auto-reset		●	●	●			●	●	●			●	●
Overvoltage protection													
115 %-135 % shut off, auto-reset				●	●	●			●	●	●	●	●
Over temperature protection													
≥80 °C shut off, auto-reset						●							
Withstand voltage													
I/P-O/P, AC 1 minute	kV	1.5					1.5					1.5	
I/P-FG, AC 1 minute	kV	1.5					1.5					1.5	
O/P-FG, AC 1 minute	kV	0.5					0.5					0.5	
Operation temperature		-10 ... +60 °C, 20 ... 90 % RH											
Weight	kg	0.4	0.52	0.55	0.85	0.85	0.4	0.54	0.56	0.85	0.85	0.5	0.88
Packing unit	Pcs	45	45	45	24	24	45	45	45	24	24	45	24

Алматы (7273) 495-231
Ангарск (3955) 60-70-56
Архангельск (8182) 63-90-72
Астрахань (8512) 99-46-04
Барнаул (3852) 73-04-60
Белгород (4722) 40-23-64
Благовещенск (4162) 22-76-07
Брянск (4832) 59-03-52
Владивосток (423) 249-28-31
Владикавказ (8672) 28-90-48
Владимир (4922) 49-43-18
Волгоград (844) 278-03-48
Вологда (8172) 26-41-59
Воронеж (473) 204-51-73
Екатеринбург (343) 384-55-89

Иваново (4932) 77-34-06
Ижевск (3412) 26-03-58
Иркутск (395) 279-98-46
Казань (843) 206-01-48
Калининград (4012) 72-03-81
Калуга (4842) 92-23-67
Кемерово (3842) 65-04-62
Киров (8332) 68-02-04
Коломна (4966) 23-41-49
Кострома (4942) 77-07-48
Краснодар (861) 203-40-90
Красноярск (391) 204-63-61
Курск (4712) 77-13-04
Курган (3522) 50-90-47
Липецк (4742) 52-20-81

Магнитогорск (3519) 55-03-13
Москва (495) 268-04-70
Мурманск (8152) 59-64-93
Набережные Челны (8552) 20-53-41
Нижний Новгород (831) 429-08-12
Новокузнецк (3843) 20-46-81
Новыйбурск (3496) 41-32-12
Новосибирск (383) 227-86-73
Омск (3812) 21-46-40
Орел (4862) 44-53-42
Оренбург (3532) 37-68-04
Пенза (8412) 22-31-16
Петрозаводск (8142) 55-98-37
Псков (8112) 59-10-37
Пермь (342) 205-81-47

Ростов-на-Дону (863) 308-18-15
Рязань (4912) 46-61-64
Самара (846) 206-03-16
Санкт-Петербург (812) 309-46-40
Саратов (845) 249-38-78
Севастополь (8692) 22-31-93
Саранск (8342) 22-96-24
Симферополь (3652) 67-13-56
Смоленск (4812) 29-41-54
Сочи (862) 225-72-31
Ставрополь (8652) 20-65-13
Сургут (3462) 77-98-35
Сыктывкар (8212) 25-95-17
Тамбов (4752) 50-40-97
Тверь (4822) 63-31-35

Тольятти (8482) 63-91-07
Томск (3822) 98-41-53
Тула (4872) 33-79-87
Тюмень (3452) 66-21-18
Ульяновск (8422) 24-23-59
Улан-Удэ (3012) 59-97-51
Уфа (347) 229-48-12
Хабаровск (4212) 92-98-04
Чебоксары (8352) 28-53-07
Челябинск (351) 202-03-61
Череповец (8202) 49-02-64
Чита (3022) 38-34-83
Якутск (4112) 23-90-97
Ярославль (4852) 69-52-93

Россия +7(495)268-04-70

Казахстан +7(7172)727-132

Киргизия +996(312)96-26-47

<https://sassin.nt-rt.ru/> || sib@nt-rt.ru